

650TVL Crystal Dome Camera

SPD-205ND3-VTI



Image



Key Features

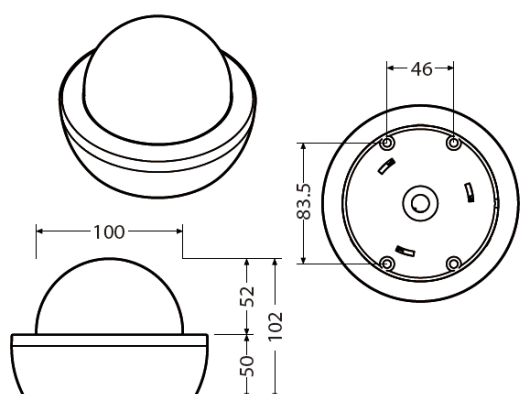
- Sony 1/3 Inch 960H Super HAD II CCD
- Horizontal Resolution 650TV Lines
- Min. Illumination 0.0006 Lux @ F1.2 (Color , Sense up 512x) , 0Lux(IR ON)
- WDR/D-WDR/BLS/HSBLC
- 2D/3D DNR (Digital Noise Reduction)
- True Day & Night
- Coaxitron Control (Pelco-C)
- 40 EA IR LED , 30M
- 3-Axis Gimbal Bracket
- f 2.8~12mm Vari-focal Lens

Ordering Number

- SPC-205ND3-VTI : NTSC, TDN, 40 ea IR LED
- SPC-205PD3-VTI : NTSC, TDN, 40 ea IR LED

Dimensions

Unit : mm



Technical Specifications

Model	SPD-205ND2-VTI	SPD-205PD2-VTI
VIDEO		
Imaging Device	SONY 1/3" 960H Super HAD II CCD	
Signal System	NTSC	PAL
Total Pixels	1020(H) x 508(V)	1020(H) x 596(V)
Effective Pixels Number	976(H) x 494(V)	976(H) x 582(V)
Scanning System	2:1 Interlace	
Sync System	Internal	
Scanning Frequency	15.734KHz(H)/59.94Hz(V)	15.625KHz(H)/50Hz(V)
Horizontal Resolution	Color : 650TV lines, B/W : 700TV lines	
Min. Illumination	0.0006 Lux @ F1.2(Sense up 512x,) 0Lux(IR ON)	
S/N Ratio	More than 52dB (AGC OFF)	
Video output	CVBS : 1.0Vp-p / 75Ω Composite	
VARIFOCAL LENS		
Mount Type	Board (Φ14)	
Lens Type	DC Auto IRIS	
Focal length	Vari-Focal 2.8mm ~ 12mm	
Angular Field of View	H=93°~28.7°	
Max. Aperture Ratio	F1.4	
OPERATIONAL (Internal Switch or Coaxitron Control)		
OSD Language	English / Chinese / Korean/Japanese/French/Italian/ Spanish/Portuguese/Dutch/German/Polish/Russian/ Turkish/Arabian/Hebrew	
Electronic Shutter Speed	1/60~1/120,000	1/50~1/120,000
Flickerless	1/100sec	1/120sec
Brightness	Support	
AGC (Auto Gain Control)	Off / Low / Middle / High	
Sens-up (Frame Integration)	2x ~ 512x	
Backlight Compensation	Off / WDR / D-WDR / BLC / HSBLC	
Wide Dynamic Range	64 [dB]	
De-Fog	Off/On	
Digital Noise Reduction	Off/On (2D/3D DNR)	
White Balance	ATW / AUTO / AWC (Push) / Manual	
Day & Night	Auto (ICR) / External / Day / Night	
Motion Detection	Built-in	
Privacy Masking	Rectangle 8 Zone Circle 4 Zone Polygon 2 Zone	
Camera Title	Off / On (Displayed 20 characters)	
Digital Zoom	Off / On (1x ~ 16x)	
D-Effect	Off / Mirror / Rotate / V-Flip	
Protocol	Coaxitron (Pelco-C)	
ENVIRONMENTAL		
Operating Temperature	-10℃ ~ +50℃	
Operating Humidity	Less than 80% RH	
ELECTRICAL		
Input Voltage	DC12V ±10%	
Power Consumption	Max. 4.2W (IRLED ON)	
MECHANICAL		
Color	Grey	
Material	ABS	
Dimensions	145 x 100 mm (Ø)	
Weight	Approx. 450g	

All specifications are subject to change without notice